

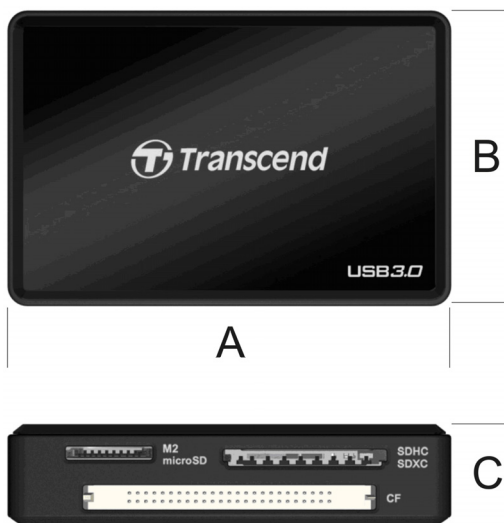
TS-RDF8

USB 3.0 Portable Multi-Card Reader

Description

TS-RDF8 is a USB 3.0 Portable Multi-Card Reader. With 4 slots, it is a small device specifically designed for fast, easy data transfer and exchange using multiple types of Memory Cards.

Placement



Dimensions

Side	Millimeters	Inches
A	67.60 ± 1.0	2.66 ± 0.04
B	45.00 ± 1.0	1.77 ± 0.04
C	15.20 ± 1.0	0.60 ± 0.04

System Requirement

- Desktop or notebook computer with USB port (USB 3.0 port needed for USB 3.0 performance)
- One of following Operating Systems:
 - Windows® XP/Vista/7 (supports USB 3.0)
 - Mac™ OS 10.2.8, or later (supports USB 2.0)
 - Linux™ Kernel 2.6.30, or later (supports USB 2.0)

Features

- Fully compatible with Super-Speed USB 3.0 specification
- Backwards compatible with USB 2.0 and USB 1.1 devices
- USB powered (no external power or battery needed)
- LED indicates card insertion and data traffic
- Supports many different types of Memory Cards

Insert directly:

- CompactFlash™ (CF) Type I (UDMA support)
- Secure Digital (SD™)
- SDHC (Secure Digital High Capacity)
- SDXC (SD eXtended Capacity, capacity up to 2TB)
- UHS-I (Ultra High Speed)
- microSDHC
- microSD™ / TransFlash
- MultiMediaCard (MMC™)
- MMCplus™
- RS-MMC
- MMCmobile™
- Memory Stick™ (MS)
- Memory Stick PRO™
- Memory Stick Duo™
- Memory Stick PRO Duo™
- Memory Stick PRO-HG Duo™
- Memory Stick Micro™ (M2)
- Memory Stick XC (Capacity up to 32GB)

Need an adapter of SD interface:

- MMCmicro™
- miniSD™
- miniSDHC

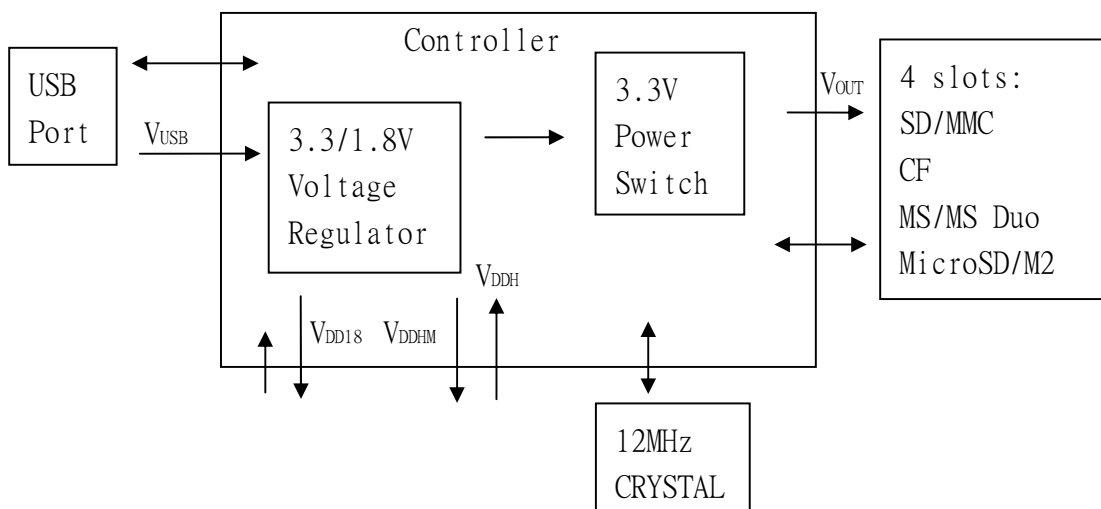
USB Pinouts

Pin No	Function
01	V _{BUS}
02	D-
03	D+
04	ID
05	GND
06	MicB_SSTX-
07	MicB_SSTX+
08	GND DRAIN
09	MicB_SSRX-
10	MicB_SSRX+
Shell	Shield

USB Pin Identification

Symbol	Function
V _{BUS}	Power
D- / D+	USB 2.0 differential pair
ID	OTG identification
GND	Ground for Power return
MicB_SSTX- / MicB_SSTX+	SuperSpeed transmitter differential pair
GND DRAIN	Ground for SuperSpeed signal return
MicB_SSRX- / MicB_SSRX+	SuperSpeed receiver differential pair
Shield	Connector metal shell

Block Diagram



AD/DC Characteristics

Recommended Operating Conditions:

SYMBOL	PARAMETER	MIN.	TYP.	MAX.	UNITS
V _{BUS}	Power Supply	4.5	5.0	5.5	V
T _{OPR}	Operating Temperature	0		70	°C

DC Characteristics:

SYMBOL	PARAMETER	MIN.	TYP.	MAX.	UNITS
V _{DDHM}	Input Voltage	3.0	3.3	3.6	V
V _{DD18}	Supply Voltage	1.62	1.8	1.98	V
V _{OUT}	Output Voltage	3.0	3.3	3.6	V

DC Electrical Characteristics of 3.3V I/O:

SYMBOL	PARAMETER	MIN.	TYP.	MAX.	UNITS
V _{DDH}	Supply Voltage	3.15	3.3	3.6	V
V _{IN}	Input Signal Voltage	0		3.6	V
V _{IL}	Input Low Voltage			0.8	V
V _{IH}	Input High Voltage	2.0			V
V _{OL}	Output Low Voltage			0.4	V
V _{OH}	Output High Voltage	2.4			V

TS-RDF8

USB 3.0 Portable Multi-Card Reader

Specifications

Environment	
Dimensions	67.6mm (L) × 45mm (W) × 15.2mm (H)
Operating Temperature	0°C (32°F) to 70°C (158°F)
Connection Interface	USB 2.0 / USB 3.0
Power Supply	5V DC from USB Port
Supported Cards	SDHC (UHS-1) / SDXC (UHS-1) MicroSDHC / M2 MS / MSXC CompactFlash (UDMA6/UDMA7)
Weight	32g
Certificates	CE, FCC, BSMI
Warranty	2-years limited

TS-RDF8

USB 3.0 Portable Multi-Card Reader

1. The above technical information is based on industry standard data and has been tested to be reliable. However, Transcend makes no warranty, either expressed or implied, as to its accuracy and assumes no liability in connection with the use of this product. Transcend reserves the right to make changes to the specifications at any time without prior notice.

2. For specific capacity, performance, and reliability requirement, please contact with sales.



TAIWAN

No.70, XingZhong Rd., NeiHu Dist., Taipei, Taiwan, R.O.C
TEL +886-2-2792-8000
Fax +886-2-2793-2222
E-mail: sales@transcend.com.tw
www.transcend.com.tw

USA

Los Angeles:

E-mail: sales@transcendusa.com

Maryland:

E-mail: sales_md@transcendusa.com
www.transcendusa.com

CHINA

E-mail: sales@transcendchina.com
www.transcendchina.com

GERMANY

E-mail: vertrieb@transcend.de
www.transcend.de

HONG KONG

E-mail: sales@transcend.com.hk
www.transcendchina.com

JAPAN

E-mail: sales@transcend.co.jp
www.transcend.jp

THE NETHERLANDS

E-mail: sales@transcend.nl
www.transcend.nl

United Kingdom

E-mail: sales@transcend-uk.com
www.transcend-uk.com